

FMEA (Potential Failure Mode and Effects Analysis) 4th Edition Errata Sheet

<u>Page</u>	<u>Original Language (see highlight)</u>	<u>Corrected Version Language or explanation</u>
i	Chapter III focuses on DFMEA (Design Failure Mode Effects and Analysis),	Chapter III focuses on DFMEA (Design Failure Mode and Effects Analysis),
ii	Chapter IV focuses on PFMEA (Process Failure Mode Effects and Analysis),	Chapter IV focuses on PFMEA (Process Failure Mode and Effects Analysis),
ii	The Appendices have several examples of forms for DMFEA and PFMEA...	The Appendices have several examples of forms for DFMEA and PFMEA...
20	Left Column under “Components”, letter “ E. Plate ” is missing from the diagram.	See updated diagram on the next page.
20	Right Column under “Attachement Method” the lettering A,B,C...	The lettering A,B,C... has been changed to 1,2,3... See updated diagram on the next page.
122	PFMEA Form A – “Prevention” and “Detection” are missing from the Current Process Controls column.	Corrected the form. See updated form.

FAILURE MODE AND EFFECTS ANALYSIS (FMEA)
BLOCK DIAGRAM / ENVIRONMENTAL EXTREMES

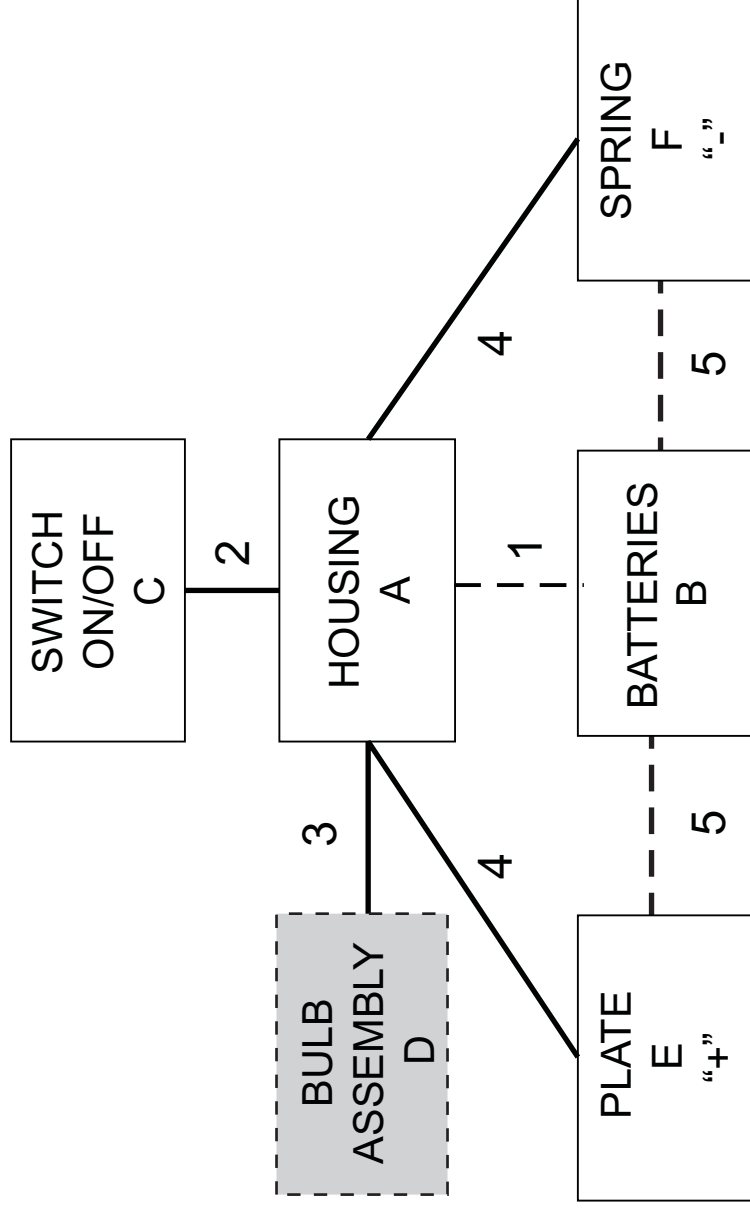
SYSTEM NAME: FLASHLIGHT
YEAR VEHICLE PLATFORM: 20xx NEW PRODUCT
FMEA I.D. NUMBER: XXXX110D001

OPERATIONAL ENVIRONMENTAL EXTREMES

TEMPERATURE: -20 TO 160 F CORROSIVE: TEST SCHEDULE B VIBRATION: NOT APPLICABLE
SHOCK: 6 FOOT DROP FOREIGN MATERIAL: DUST HUMIDITY: 0 - 100 % RH
FLAMMABILITY: (WHAT COMPONENT(S) ARE NEAR HEAT SOURCE(S)?)
OTHER:

LETTERS = COMPONENTS ——— = ATTACHED/JOINED = INTERFACING, NOT JOINED [] = NOT INCLUDED IN THIS FMEA
NUMBERS = ATTACHING METHODS

NOTE: The example below is a relational block diagram. Other types of block diagrams, schematics, pictures, etc. may be used by the FMEA Team to clarify the item(s) being considered in their analysis.



- COMPONENTS
- A. HOUSING
 - B. BATTERIES
 - C. ON/OFF SWITCH
 - D. BULB ASSEMBLY
 - E. PLATE
 - F. SPRING

- ATTACHEMENT METHOD
- 1. SLIP FIT
 - 2. RIVETS
 - 3. THREAD
 - 4. SNAP FIT
 - 5. COMPRESSIVE FIT

Bicycle Seat to Pedal relationships

